

## Tin Roof Mounting System



### Technical Information

Installation Sit	Type	Tin Roof
	Incline	Flush with the roof, up to 60°
Wind and Snow Load	Wind Speed	$V_{0s} \leq 60\text{m/s}$
	Build Height	$h \leq 30\text{m}$
	Snow Load	$P \leq 1.4\text{KN/m}^2$
Material	Material	Al6005-T5, SUS304
	Anti-corrosive	Anodized
Standard	AS/NZS 1170.2:2011 DIN 1055 JIS C 8955	
Warranty	Warranty	10 years warranty
	Duration	more than 20 years

**10**  
years  
Warranty

### Installation

**Step1.** Drill a hole from the roof surface then fasten the L feet to the hole by wood screw.



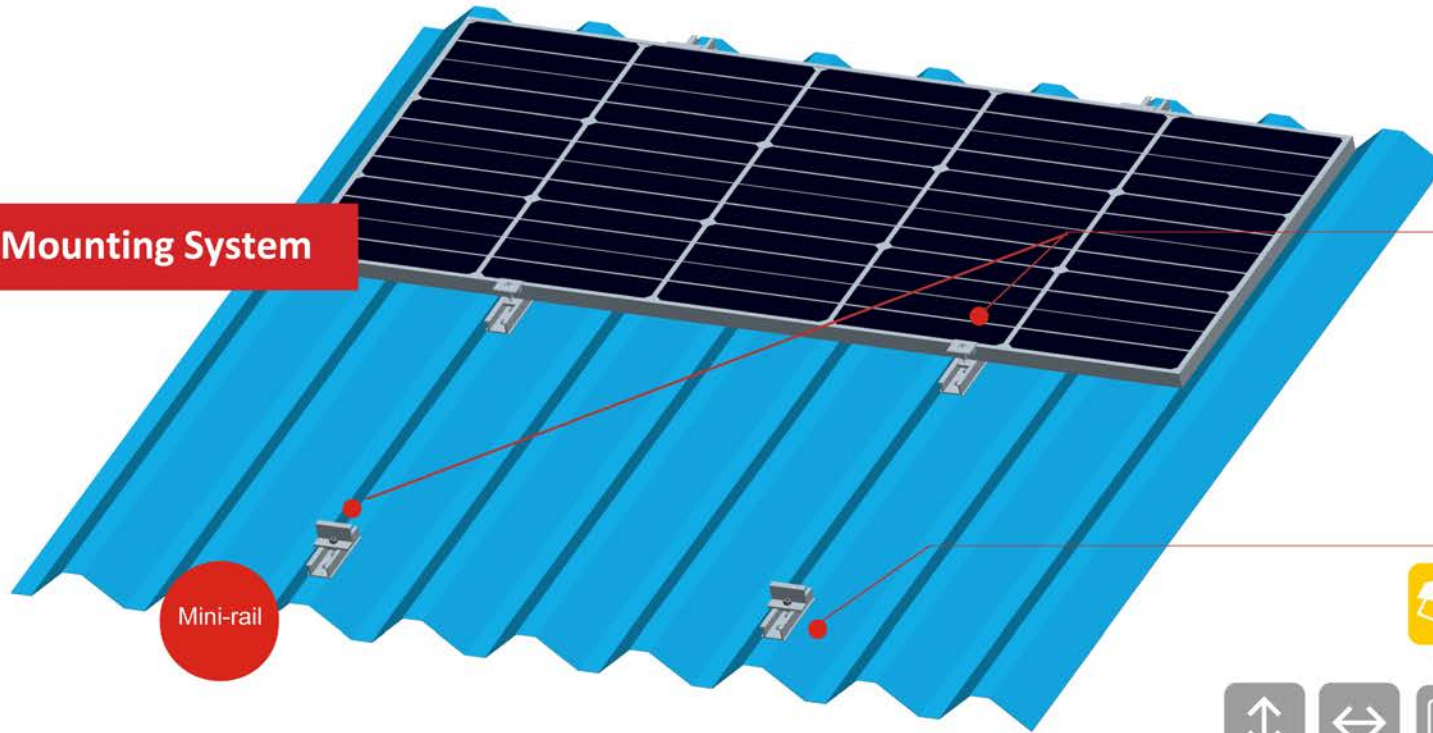
**Step2.** Insert the nut into the rail channel, fasten the bolt and nut to fix the rail.



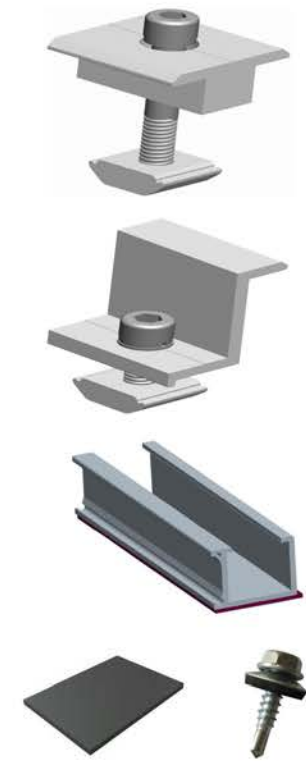
**Step3.** Fix the module on the rail by mid clamp and end clamp.



## Tin Roof Mounting System



Mini-rail



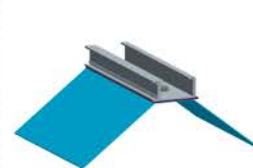
### Technical Information

Installation Sit	Type Incline	Tin Roof Flush with the roof, up to 60°
Wind and Snow Load	Wind Speed Build Height Snow Load	$V \leq 60\text{m/s}$ $h \leq 30\text{m}$ $P \leq 1.4\text{KN/m}^2$
Material	Material Anti-corrosive	Al6005-T5, SUS304 Anodized
Standard	AS/NZS 1170.2:2011 DIN 1055 JIS C 8955	
Warranty	Warranty Duration	10 years warranty more than 20 years

10  
years  
Warranty

### Installation

**Step1.** Drill a hole from the roof surface then fasten the L feet to the hole by wood screw.



**Step2.** Insert the nut into the rail channel, and fasten the bolt and nut to fix the rail.



**Step3.** Fix the module on the rail by mid clamp and end clamp.

